

Date Signed: 04/29/2021

**CLIENT**  
**OHANA ALLIANCE GROUP, INC.**

9105 BRUCEVILLE RD.  
SUITE 6A  
ELK GROVE,  
CA 95758

**PROJECT**  
**HERITAGE RV STORAGE**

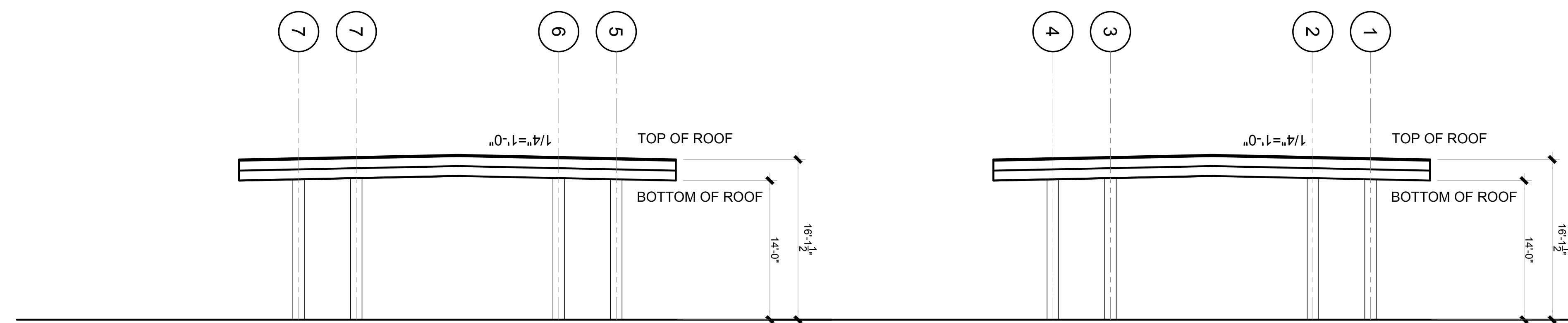
975 HWY 99 WEST  
CORNING, CA 96021

**SHEET TITLE**  
**CANOPY ELEVATIONS**

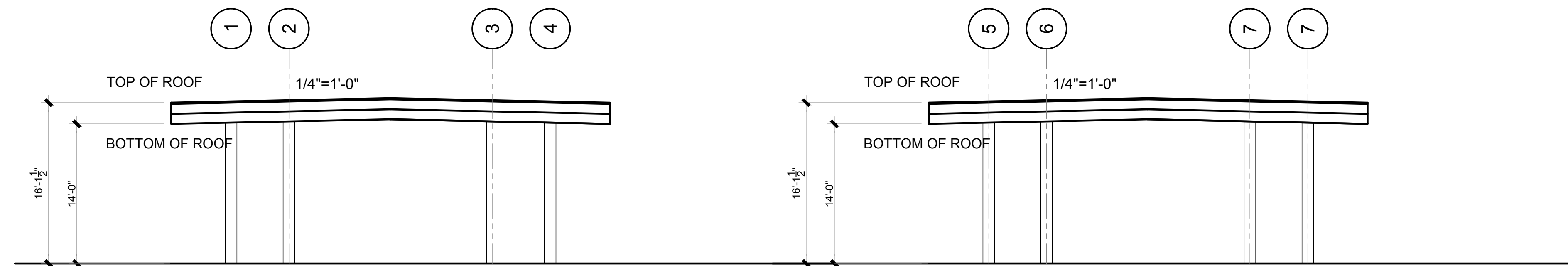
REV.	DATE	COMMENT
	04/30/21	1st CITY SUBMITTAL

**PROJECT MANAGER:** EL/SH  
**DRAWN BY:** SH  
**DATE:** 04/30/2021  
**JOB NUMBER:** 21-126  
**FILE NAME:** 21126A301-Elevations  
**SHEET NUMBER:**

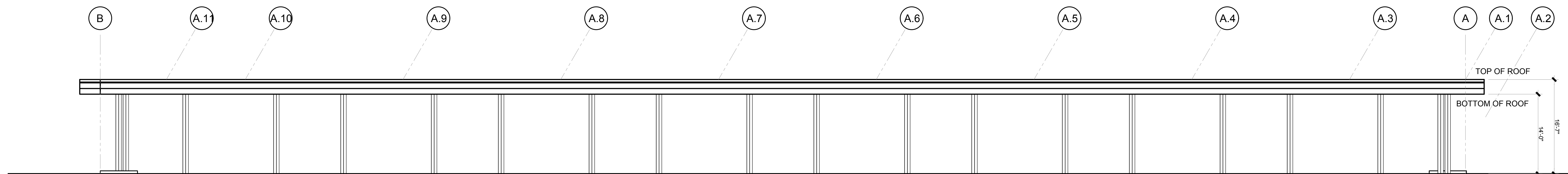
**A3.1**



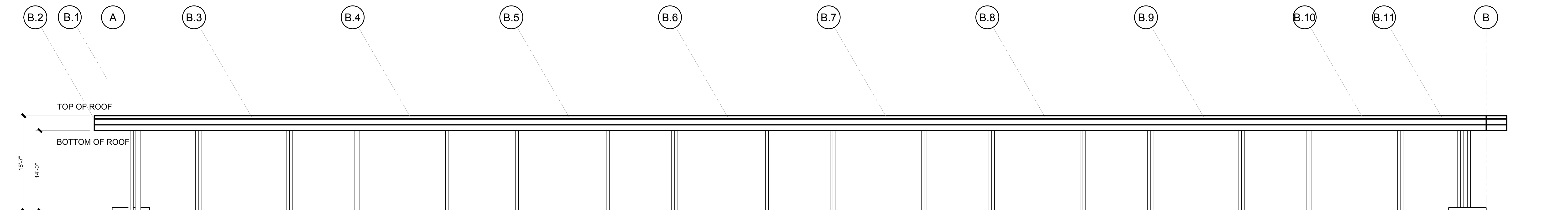
**EAST ELEVATION** ①  
1/8" = 1'-0"



**WEST ELEVATION** ②  
1/8" = 1'-0"



**NORTH ELEVATION** ③  
1/8" = 1'-0"



**SOUTH ELEVATION** ④  
1/8" = 1'-0"

**GENERAL NOTES**

- CONTRACTOR TO VERIFY ALL DETAILS, DIMENSIONS, AND FIELD CONDITIONS BEFORE PROCEEDING WITH CONSTRUCTION.
- WHERE ARCHITECTURAL SPECIFICATIONS REGARDING STRENGTH OF MATERIALS AND STRUCTURAL SPECS ARE NOT IN AGREEMENT, THE STRUCTURAL SPECIFICATIONS WILL APPLY.
- HEIGHT OF TOP OF WALL, ROOF AND PARAPET SHOWN ON ELEV. ARE APPROX., TAKEN FROM THE BUILDING FINISH FLOOR. EXACT DIM. TO BE DETERMINED PER MANUFACTURER'S REQ. AND STANDARD DETAILS.
- ALL NOTES, DIM. DETAIL REFERENCES AND INFO. SHOWN ON THIS SHEET ARE REPEATING AND TYP. FOR ALL FLOOR PLANS AND ELEVATIONS U.N.O.
- DIMENSIONS ARE TO FACE OF C.M.U. AND/OR TO THE FACE OF METAL STUD OR CONCRETE, UNLESS NOTED OTHERWISE.
- 
- VERIFY GRADES @ BUILDING LINE WITH CIVIL ENGINEERING DRAWINGS.
- DO NOT SCALE THE DWGS. NOTIFY ARCHITECT OF ANY DISCREPANCIES IN THE PLANS IMMEDIATELY BEFORE PROCEEDING.

**KEY NOTES**

**KEY PLAN**

